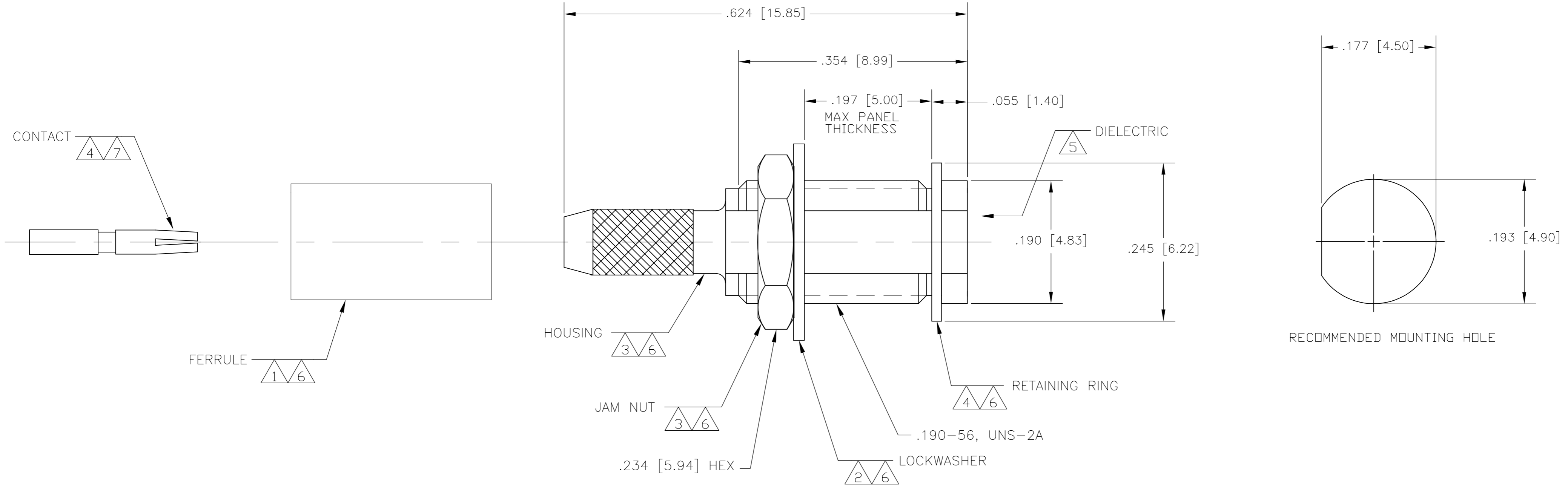


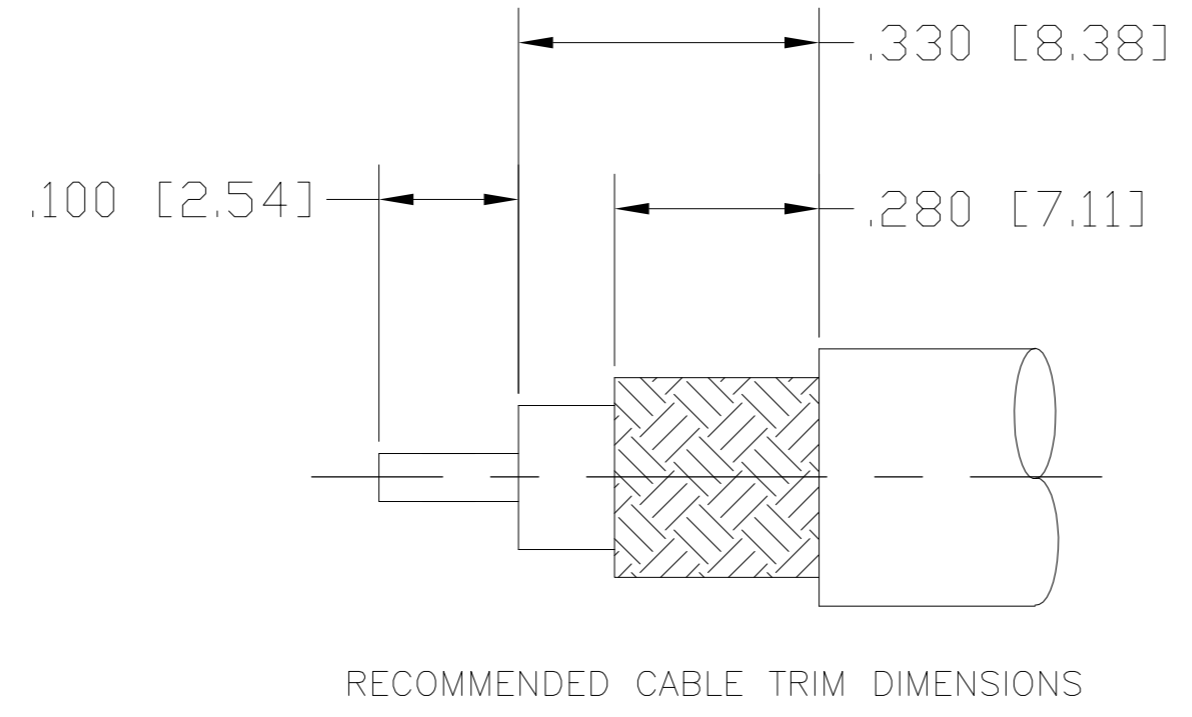
THIS DRAWING IS UNPUBLISHED. RELEASED FOR PUBLICATION  
 © COPYRIGHT BY TYCO ELECTRONICS CORPORATION. ALL RIGHTS RESERVED.

LOC	DIST	REVISIONS			
P	LTR	DESCRIPTION	DATE	DWN	APVD
HC	00	REV PER ECO 08-007172	26MAR2008	DW	JL



- ① COPPER OR BRASS ALLOY
- ② PHOSPHOR BRONZE PER ASTM-B-139 OR TIN BRASS PER PER ASTM-B-591
- ③ BRASS PER ASTM-B-16
- ④ BERYLLIUM COPPER PER ASTM-B-196
- ⑤ PTFE PER ASTM-D-1457
- ⑥ NICKEL PLATE PER QQ-N-290
- ⑦ GOLD PLATE PER MIL-G-45204

8. THIS PART INCLUDES 6 UNASSEMBLED ITEMS  
 9. FOR USE WITH RG-174, 188 & 316 CABLE.



THIS DRAWING IS A CONTROLLED DOCUMENT.		DWN	09APR01	Tyco Electronics Corporation Harrisburg, PA 17105-3608	
DIMENSIONS: INCHES [mm]		CHK	RMF	NAME	
TOLERANCES UNLESS OTHERWISE SPECIFIED:		APVD	RMF	PRODUCT SPEC	
0 PLC	± -	APPLICATION SPEC		408-4645	
1 PLC	± -	WEIGHT		1.0 g / .037 oz	
2 PLC	± -	CUSTOMER DRAWING		SCALE 10:1	
3 PLC	± .010 [0.25]	SIZE		A2	
4 PLC	± -	CAGE CODE		00779	
ANGLES	± 1	DRAWING NO		C=1060883	
FINISH	-	RESTRICTED TO		-	

1060883-1  
PART NUMBER